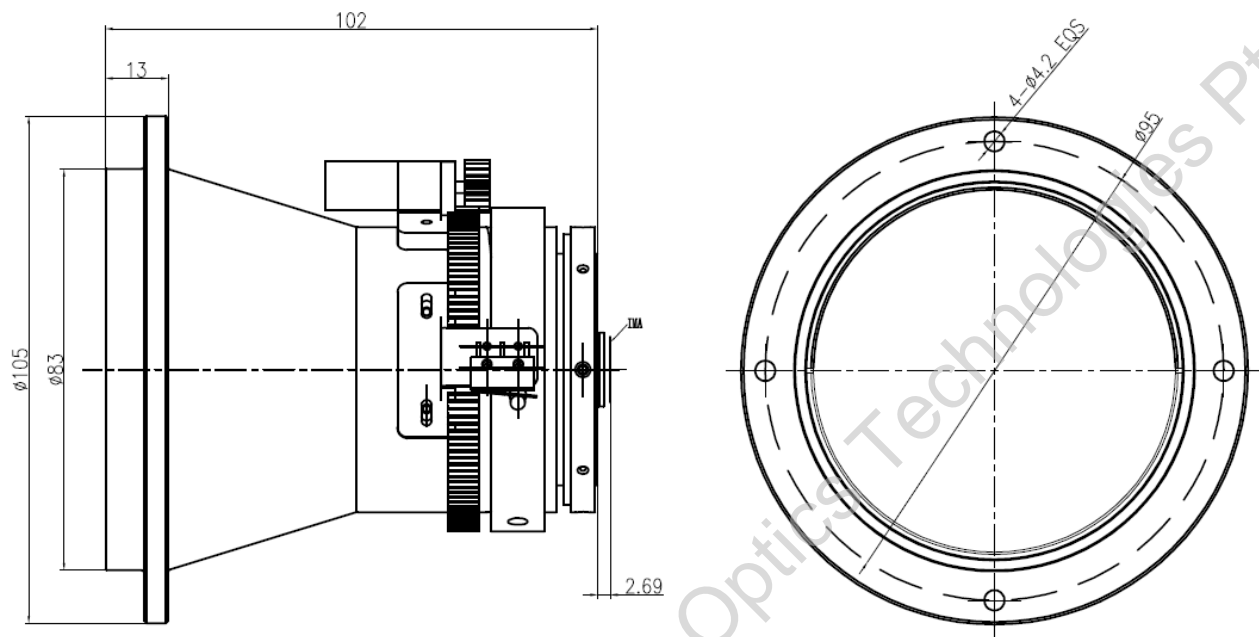



Focal Length	75mm
F/#	1.0
Spectral Range	8~12 μ m
Transmittance	>89%
Detector	640x512 / 17 μ m
FOV	8.3° × 6.6°
Focusing Method	Motorized
Focus Range	7.5m ~ ∞
Mount Type	Flange
Lens Size	\varnothing 105mm / L102mm
Rear Working Distance	2.69mm
Weight	507g \pm 5%
Coating	DLC
Operating Temperature	-40°C ~ 60°C
Storage Temperature	-40°C ~ 80°C
IP Grade	IP67 (Front Mirror)



Drawing No.	NZLMF75F1		SOT-LW-MF-75F1	
		Signature		
Designed by				 Shape Optics Technologies Pte Ltd
Reviewed by				
Approved by				
				Sheet 1 of 1